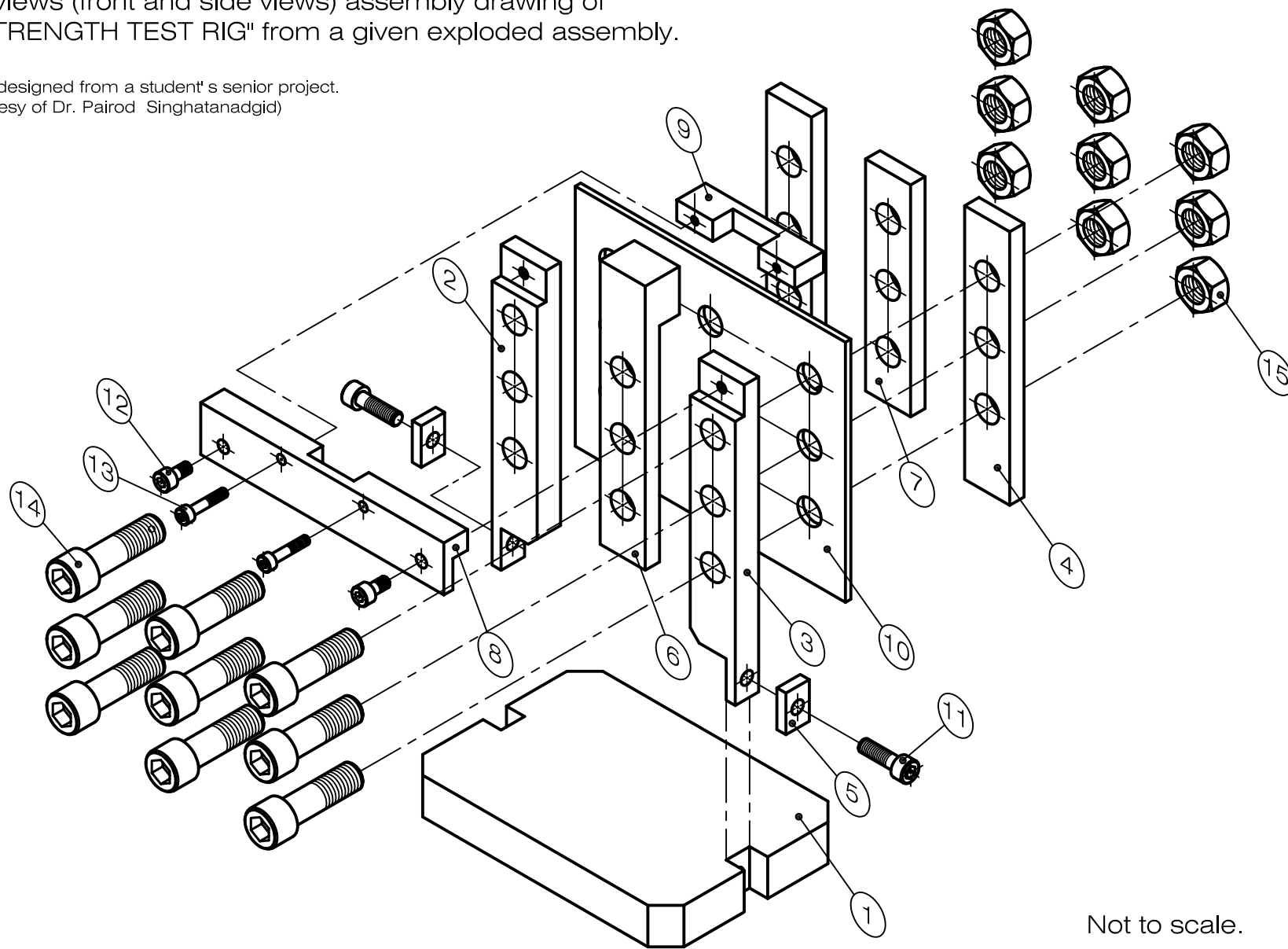


Draw two views (front and side views) assembly drawing of "SHEAR STRENGTH TEST RIG" from a given exploded assembly.

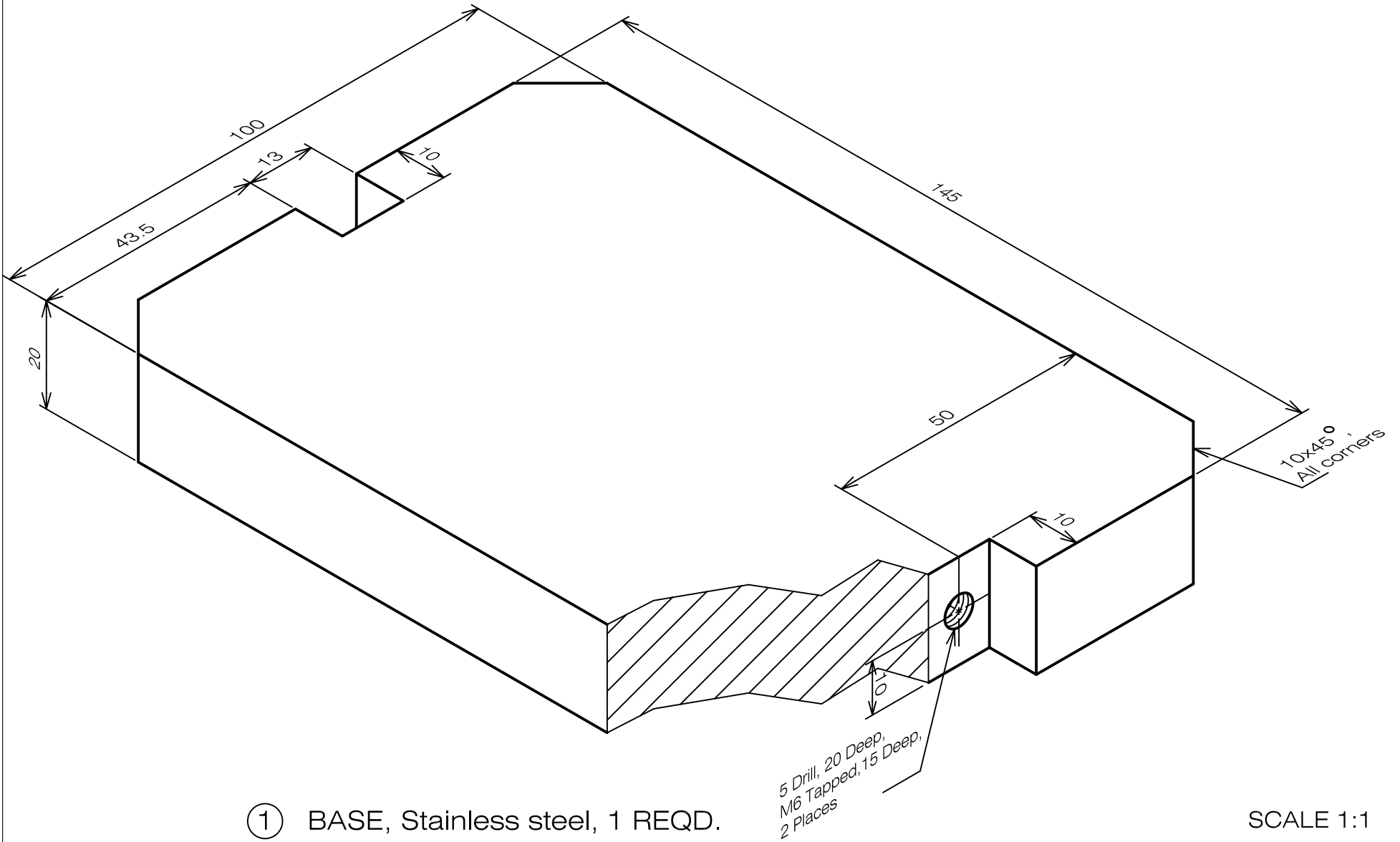
(Test rig was redesigned from a student's senior project.
Problem courtesy of Dr. Pairod Singhatanadgid)

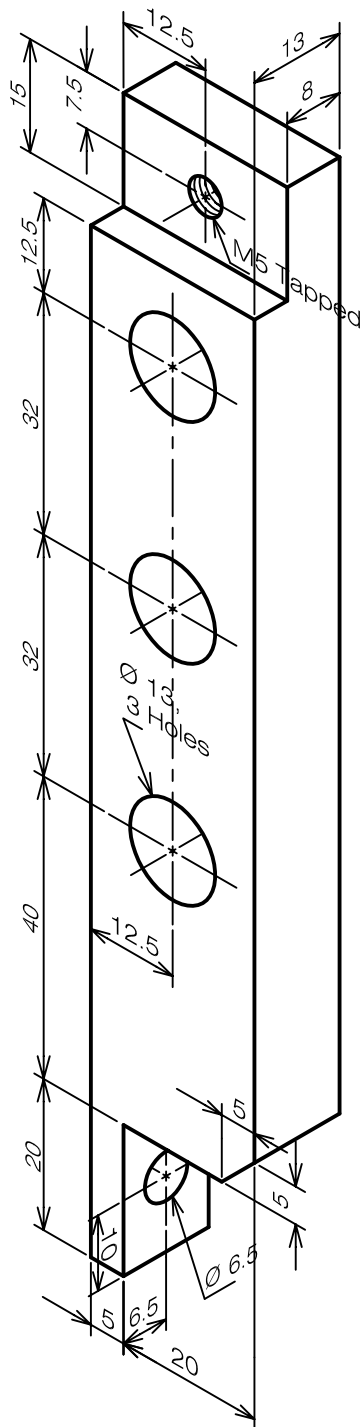


Not to scale.

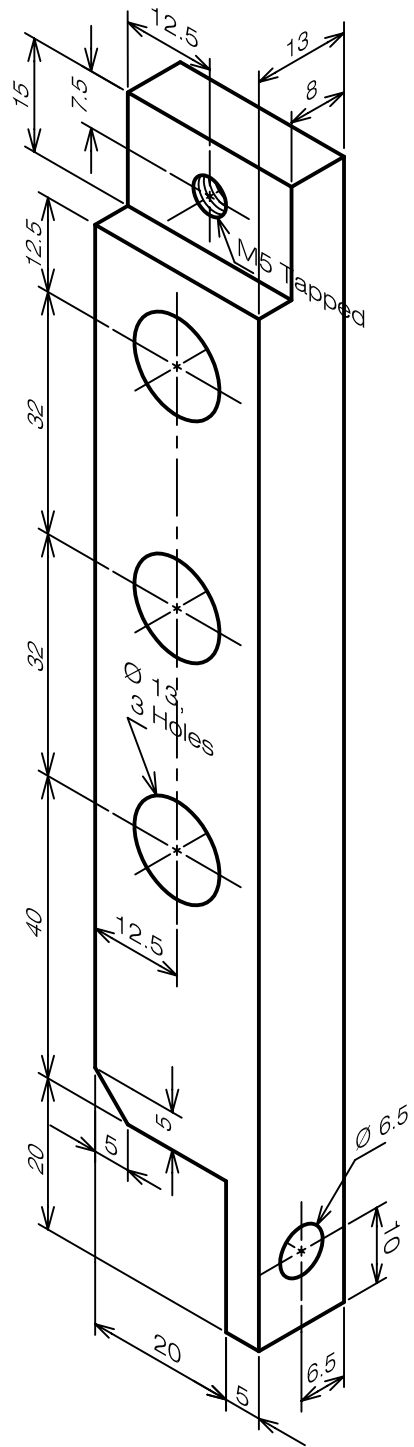
ASSEMBLY DRAWING

ASSEMBLY DRAWING



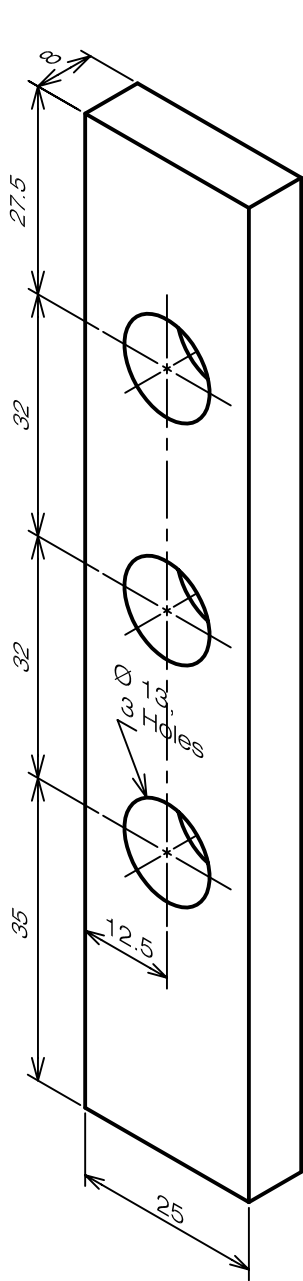


② LEFT SIDE BAR,
Stainless steel,
1 REQD.

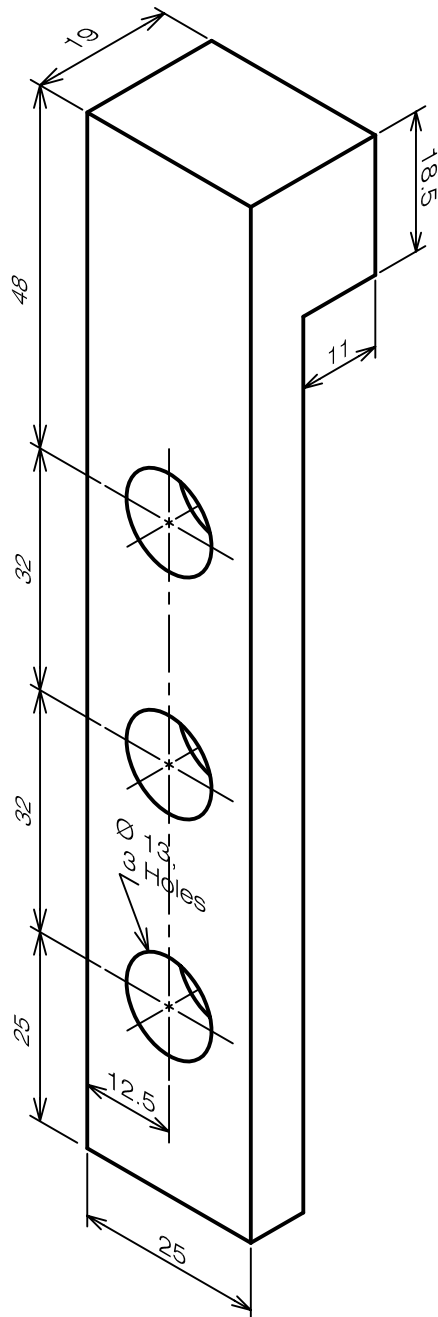


③ RIGHT SIDE BAR,
Stainless steel,
1 REQD.

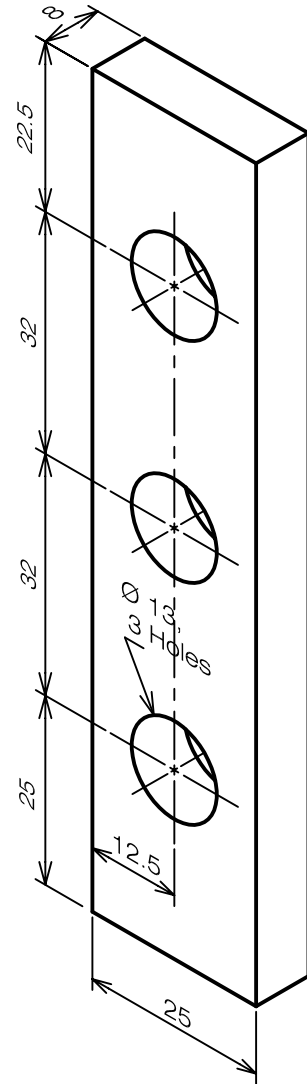
SCALE 1:1



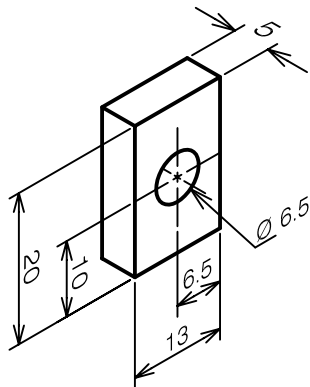
④ SIDE CLAMP,
Stainless steel,
2 REQD.



⑥ MIDDLE BAR,
Stainless steel,
1 REQD.



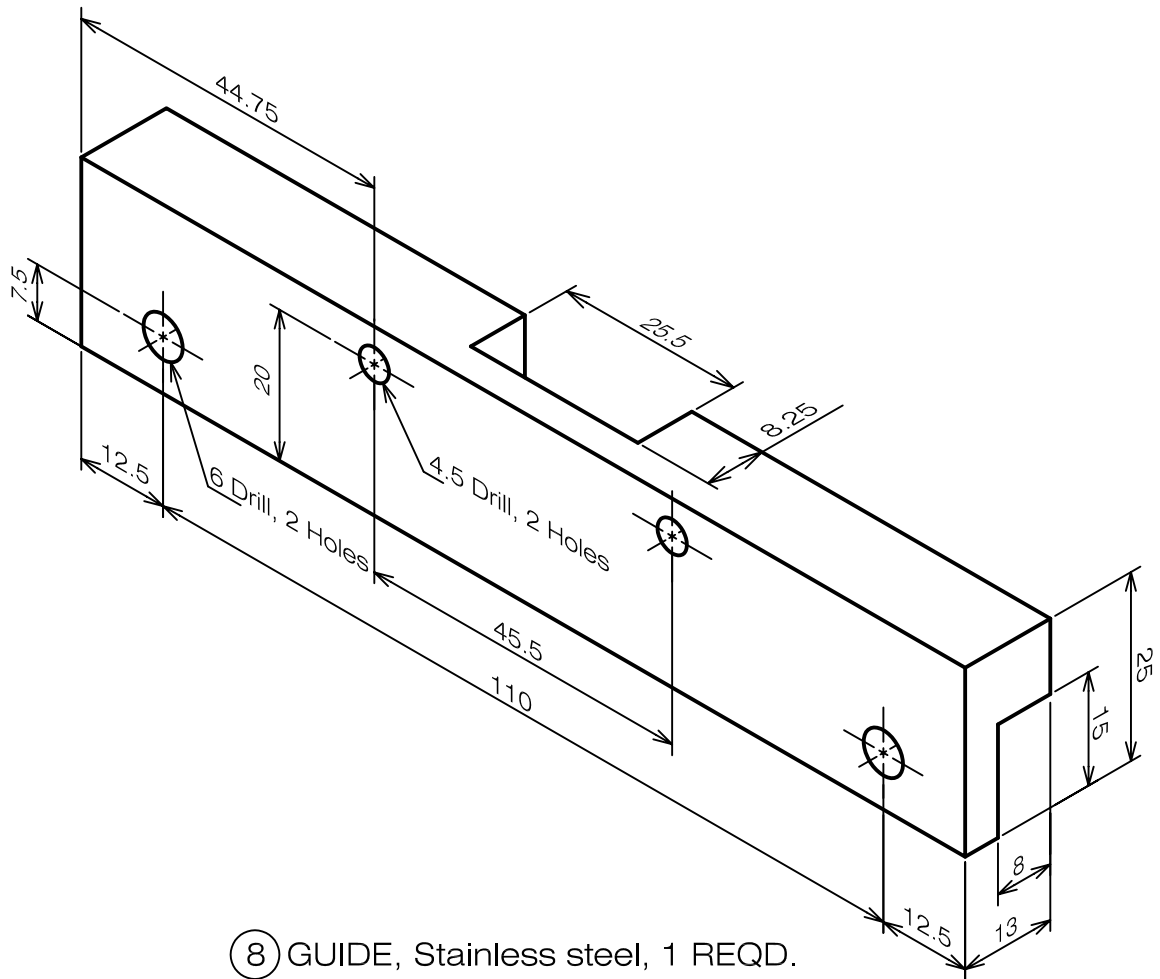
⑦ MIDDLE CLAMP,
Stainless steel,
1 REQD.



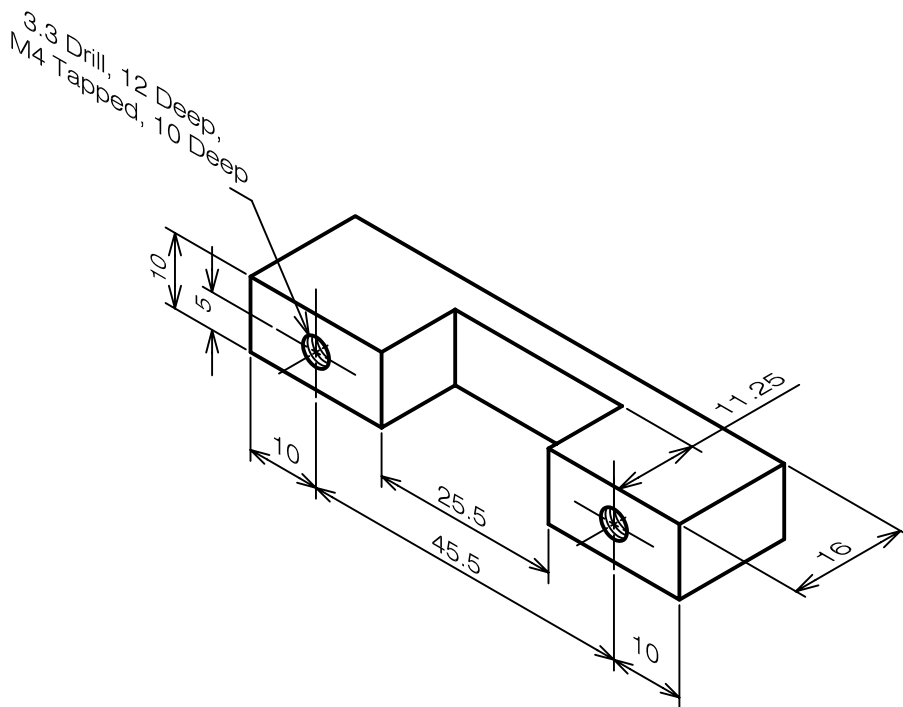
⑤ WASHER, Stainless steel, 2 REQD.

SCALE 1:1

ASSEMBLY DRAWING



⑧ GUIDE, Stainless steel, 1 REQD.



⑨ GUIDE CLAMP, Stainless steel, 1 REQD.

SCALE 1:1

ASSEMBLY DRAWING