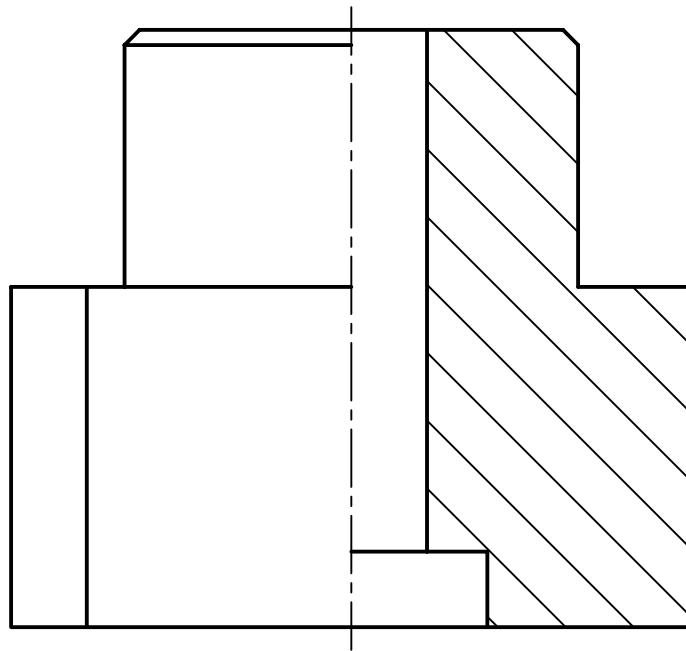
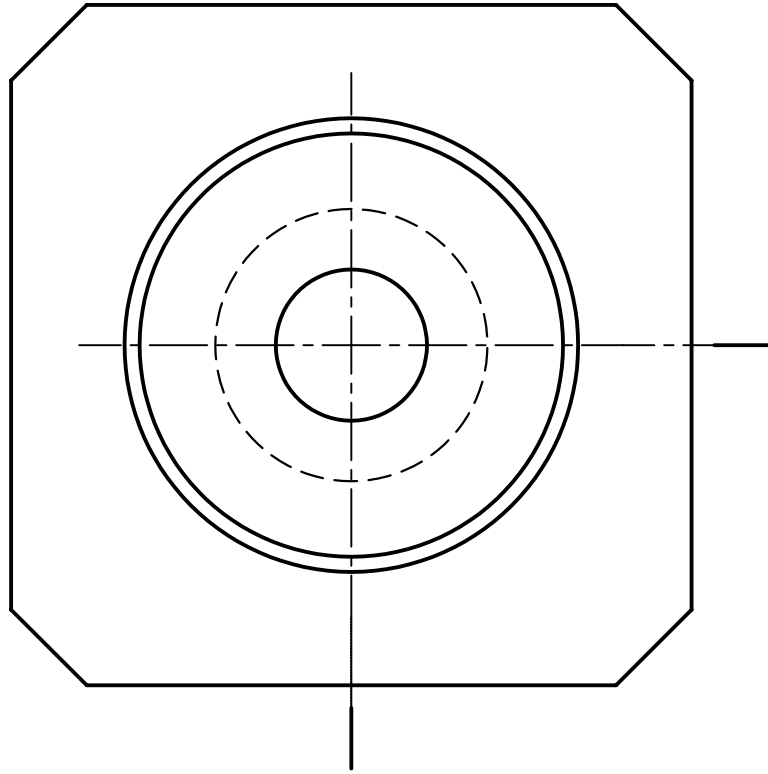
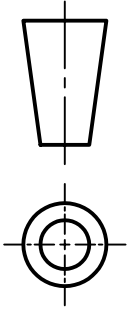


Make measurements from a given orthographic view and complete the dimensions.



SCALE 1:1