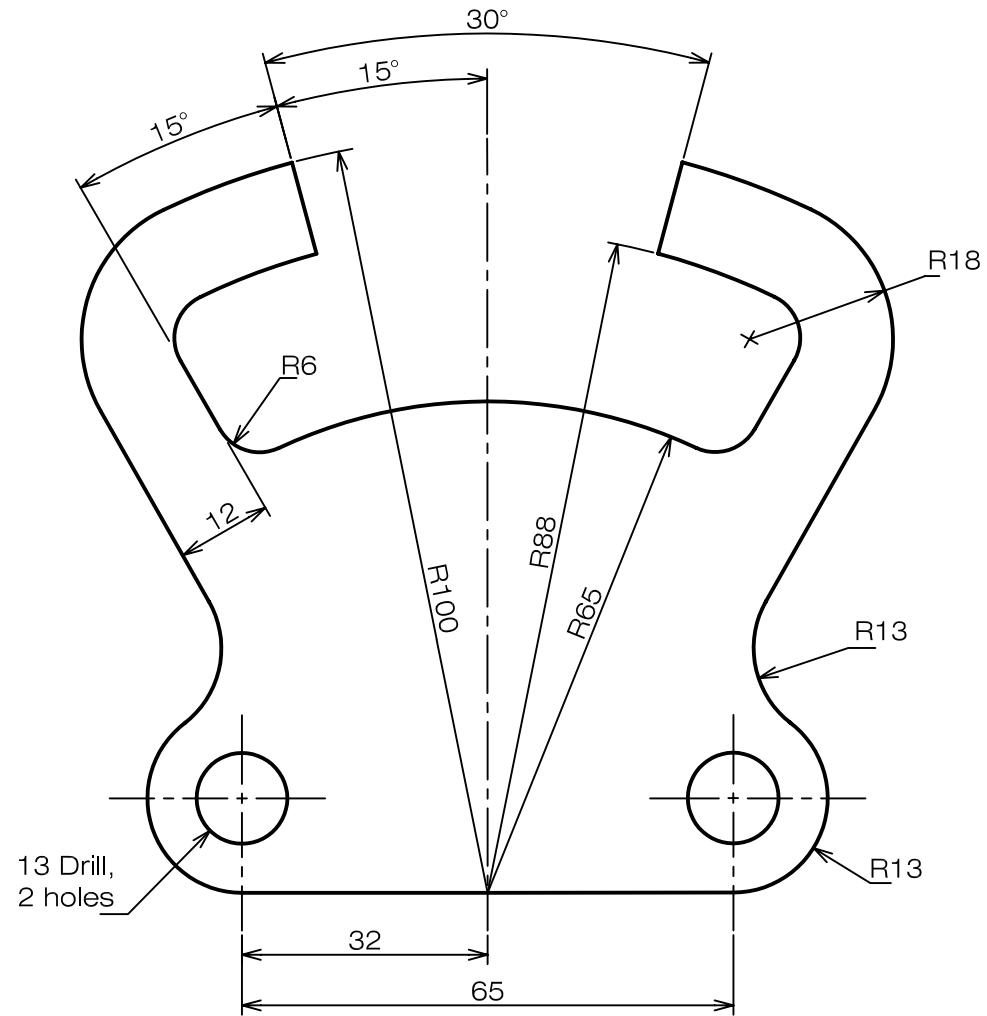


Make a drawing of the part shown below.

(Problem is adapted from "Fundamentals of Graphics Communication" by Bertoline et al.)



SPLIT GUIDE

SCALE 1:1