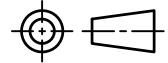
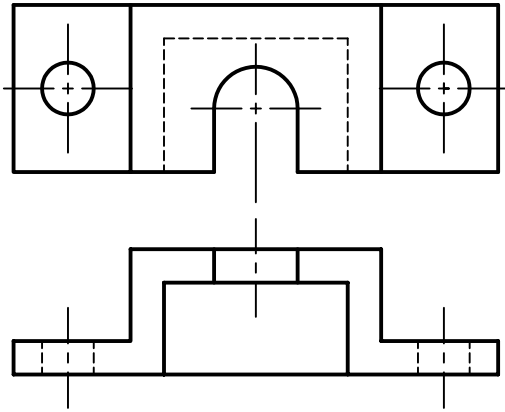


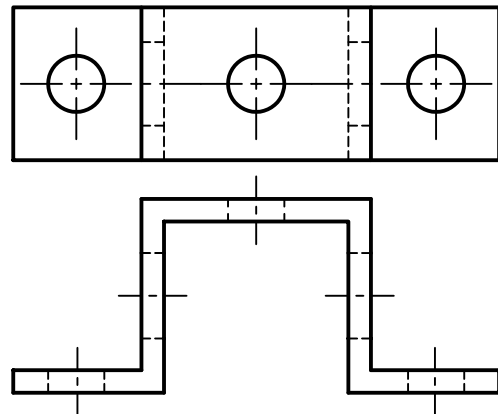
Make freehand isometric sketches. The size of the pictorial sketch should approximately match a given multiview drawing.



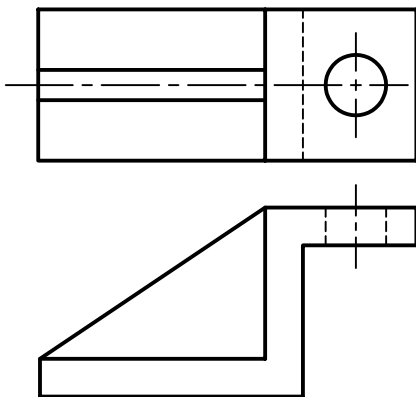
(A)



(C)



(B)



(D)

